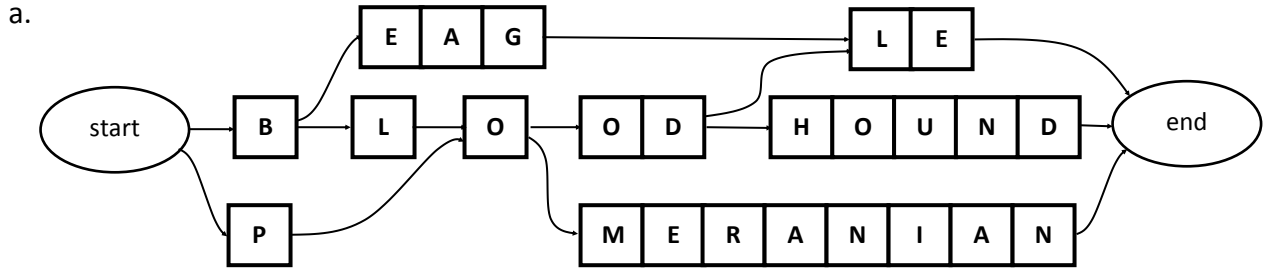
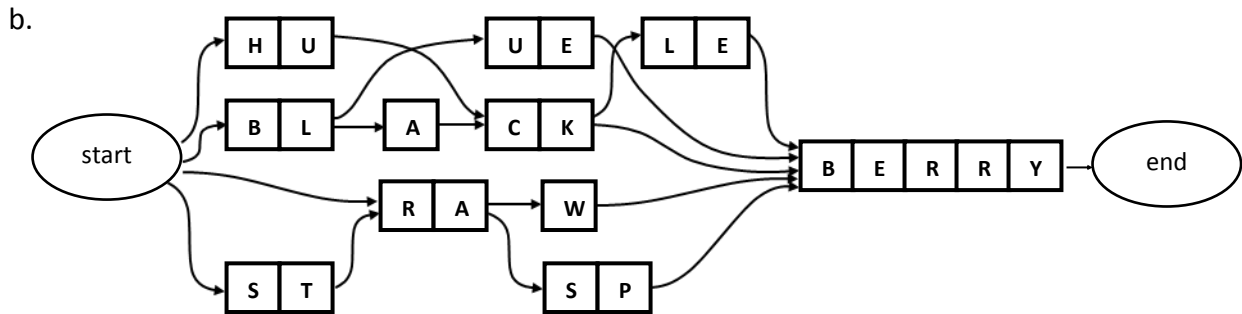


# (B) DAWG Breeds (1/1)

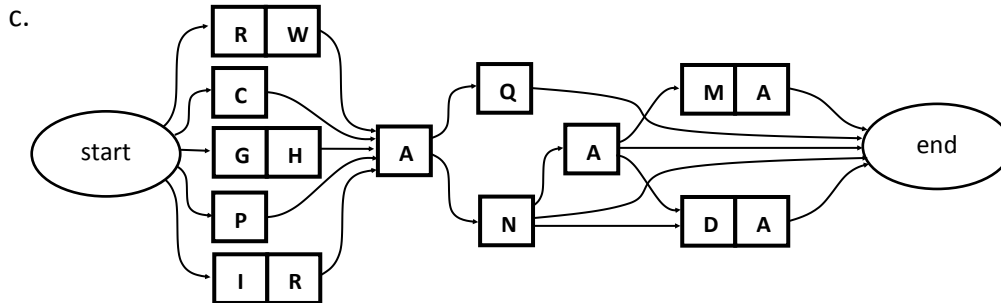
B1.



Unintended words: POODHOUND, BLOMERANIAN, BLOODLE  
 Intended words: BEAGLE, BLOODHOUND, POODLE, POMERANIAN



Unintended words: HUCKBERRY, RAWBERRY, BLACKLEBERRY, STRASPBERRY  
 Intended words: HUCKLEBERRY, BLUEBERRY, BLACKBERRY, STRAWBERRY, RASPBERRY



Unintended words: PANDA, GHAQ, IRANADA, CAN, RWANAMA, and many more...  
 Intended words: RWANDA, CANADA, GHANA, PANAMA, IRAQ, IRAN

- B2.
- a. 27 squares
  - b. 26 squares
  - c. 24 squares

